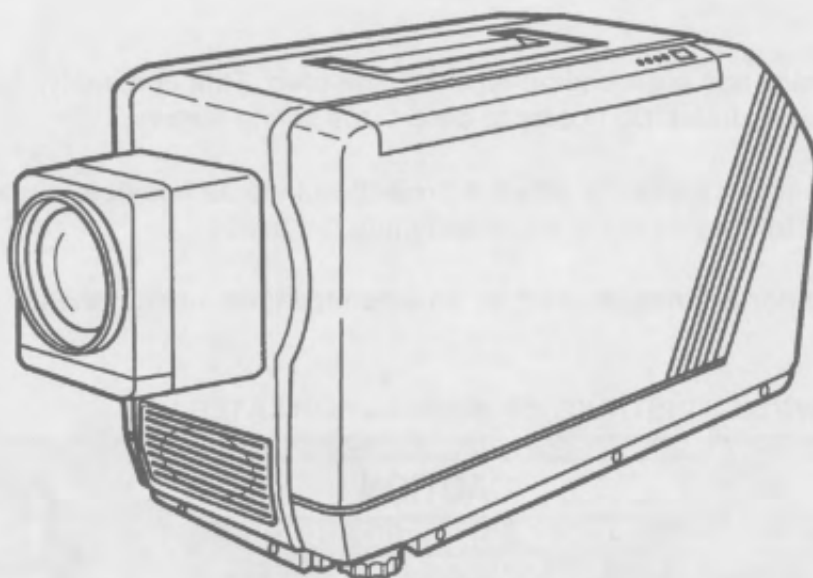


**EIKI**

LC COLOR VIDEO PROJECTOR

MODEL **LC-350**



**OWNER'S INSTRUCTION MANUAL**

## INFORMATION TO THE USER

NOTE: This equipment has been tested and found to comply with the limits for a Class A digital device, pursuant to Part 15 of the FCC Rules. These limits are designed to provide reasonable protection against harmful interference when the equipment is operated in a commercial environment. This equipment generates, uses, and can radiate radio frequency energy and, if not installed and used in accordance with the instruction manual, may cause harmful interference to radio communications. Operation of this equipment in a residential area is likely to cause harmful interference in which case the user will be required to correct the interference at his own expense.

## SAFETY PRECAUTIONS

### WARNING:

**TO REDUCE THE RISK OF FIRE OR ELECTRIC SHOCK, DO NOT EXPOSE THIS APPLIANCE TO RAIN OR MOISTURE.**

The LC color video projector has a grounding-type AC line plug. This is a safety feature to be sure that the plug will fit into the power outlet. Do not try to defeat this safety feature.

Intense light source. Do not stare directly into the projection lens as possible eye damage could result. Be especially careful that children do not stare directly into the beam.

If the LC color video projector will not be used for an extended time, unplug the LC color video projector from the power outlet.

**READ AND KEEP THIS OWNER'S INSTRUCTION MANUAL FOR LATER USE.**

	<b>CAUTION</b> RISK OF ELECTRIC SHOCK DO NOT OPEN	
<b>CAUTION: TO REDUCE THE RISK OF ELECTRIC SHOCK, DO NOT REMOVE COVER (OR BACK). NO USER-SERVICEABLE PARTS INSIDE. REFER SERVICING TO QUALIFIED SERVICE PERSONNEL.</b>		
 THIS SYMBOL INDICATES THAT DANGEROUS VOLTAGE CONSTITUTING A RISK OF ELECTRIC SHOCK IS PRESENT WITHIN THIS UNIT.	 THIS SYMBOL INDICATES THAT THERE ARE IMPORTANT OPERATING AND MAINTENANCE INSTRUCTIONS IN THE OWNER'S MANUAL WITH THIS UNIT.	

### IMPORTANT:

For your protection in the event of theft or loss of this LC color video projector, please record the Model Number and Serial Number located on the rear of unit and retain this information. Refer to these numbers whenever you call upon your Eiki dealer regarding this product.

Model No: LC-350

Serial No: \_\_\_\_\_

## IMPORTANT SAFETY INSTRUCTIONS

All the safety and operating instructions should be read before the product is operated.

Read all of the instructions given here and retain them for later use. Unplug this projector from AC power supply before cleaning. Do not use liquid or aerosol cleaners. Use a damp cloth for cleaning.

Do not use attachments not recommended by the manufacturer as they may cause hazards.

Do not place this projector on an unstable cart, stand, or table. The projector may fall, causing serious injury to a child or adult, and serious damage to the projector. Use only with a cart or stand recommended by the manufacturer, or sold with the projector. Wall or shelf mounting should follow the manufacturer's instructions, and should use a mounting kit approved by the manufacturer.

Do not expose this unit to rain or use near water... for example, in a wet basement, near a swimming pool or the like.

Slots and openings in the cabinet and the back or bottom are provided for ventilation, to insure reliable operation of the equipment and to protect it from overheating.

The openings should never be covered with cloth or other material, and the bottom opening should not be blocked by placing the projector on a bed, sofa, rug, or other similar surface. This projector should never be placed near or over a radiator or heat register.

This projector should not be placed in a built-in installation such as a bookcase unless proper ventilation is provided.

This projector should be operated only from the type of power source indicated on the marking label. If you are not sure of the type of power supplied, consult your authorized dealer or local power company.

Do not overload wall outlets and extension cords as this can result in fire or electric shock. Do not allow anything to rest on the power cord. Do not locate this projector where the cord will be abused by persons walking on it.

Never push objects of any kind into this projector through cabinet slots as they may touch dangerous voltage points or short out parts that could result in a fire or electric shock. Never spill liquid of any kind on the projector.

Do not attempt to service this projector yourself as opening or removing covers may expose you to dangerous voltage or other hazards. Refer all servicing to qualified service personnel.

Unplug this projector from wall outlet and refer servicing to qualified service personnel under the following conditions:

- When the power cord or plug is damaged or frayed.
- If liquid has been spilled into the projector.
- If the projector has been exposed to rain or water.
- If the projector does not operate normally by following the operating instructions. Adjust only those controls that are covered by the operating instructions as improper adjustment of other controls may result in damage and will often require extensive work by a qualified technician to restore the projector to normal operation.
- If the projector has been dropped or the cabinet has been damaged.
- When the projector exhibits a distinct change in performance-this indicates a need for service.

When replacement parts are required, be sure the service technician has used replacement parts specified by the manufacturer that have the same characteristics as the original part. Unauthorized substitutions may result in fire, electric shock, or injury to persons.

Upon completion of any service or repairs to this projector, ask the service technician to perform routine safety checks to determine that the projector is in safe operating condition.



This projector is equipped with a grounding type AC line plug. Should you be unable to insert the plug into the outlet, contact your electrician. Do not defeat the safety purpose of this grounding type plug.

Follow all warnings and instructions marked on the projectors.

For added protection for the projector during a lightning storm, or when it is left unattended and unused for long periods of time, unplug it from the wall outlet. This will prevent damage due to lightning and powerline surges.



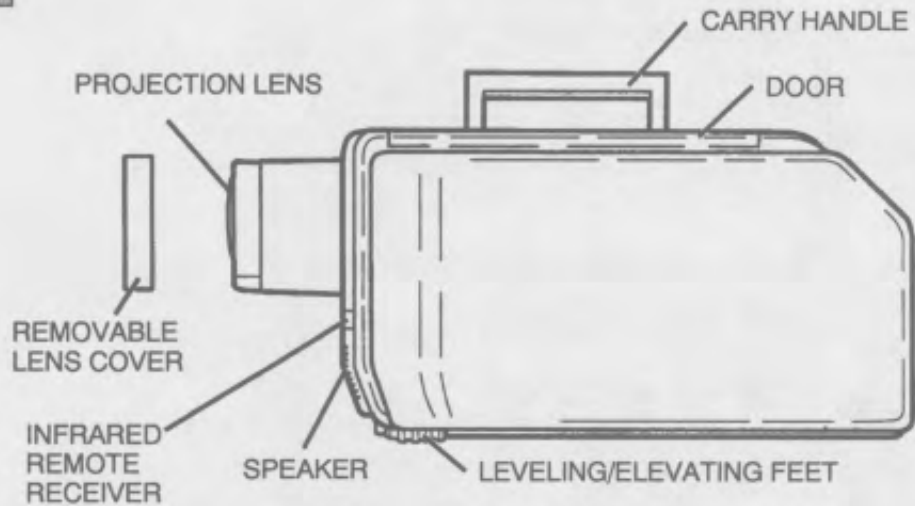
An appliance and cart combination should be moved with care. Quick stops, excessive force, and uneven surfaces may cause the appliance and cart combination to overturn.

# TABLE OF CONTENTS

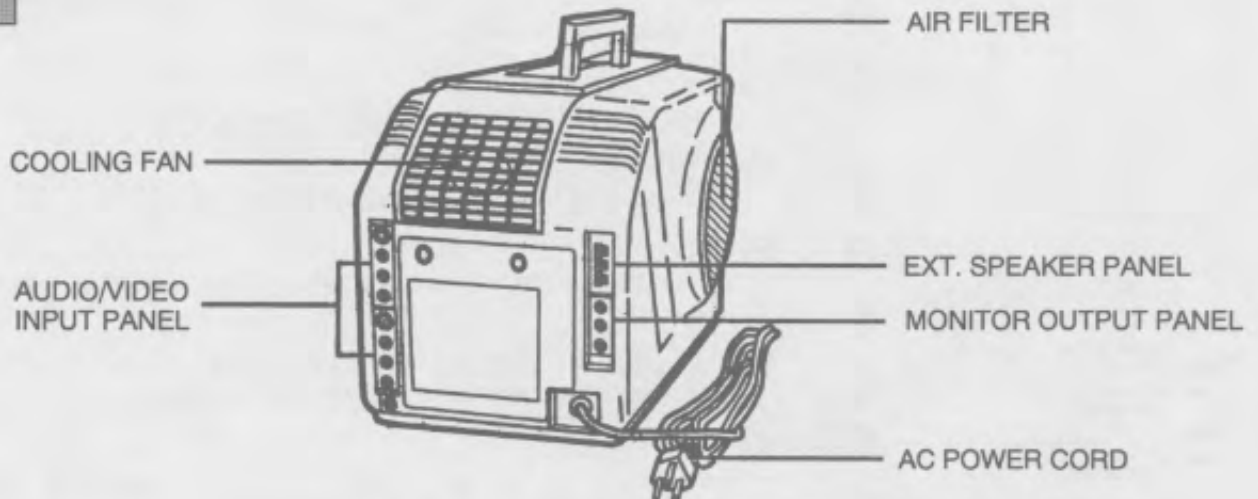
	PAGE
DESCRIPTION.....	5
OPERATION OF CONTROLS.....	6-7
REMOTE CONTROL OPERATION.....	8-9
SETTING-UP THE PROJECTOR.....	10
USING THE PROJECTOR .....	11-13
COLOR AND PICTURE ADJUSTMENTS .....	14
CONNECTION TO VCR, VIDEO DISC AND SATELLITE TV TUNER.....	15
CONNECTION TO S-VHS VCR.....	16
CONNECTION TO VIDEO CAMERA/CAMCORDER.....	16
CONNECTION TO EXTERNAL SPEAKERS (WITHOUT AMPLIFIER).....	17
CONNECTION TO EXTERNAL AMPLIFIER AND SPEAKERS.....	18
CONNECTION TO MONITOR OUTPUT.....	18
AIR FILTER CARE AND CLEANING .....	19
LAMP REPLACEMENT & TEMPERATURE WARNING INDICATORS.....	19
TROUBLE SHOOTING GUIDE .....	20
TECHNICAL SPECIFICATIONS.....	21

# DESCRIPTION

## FRONT

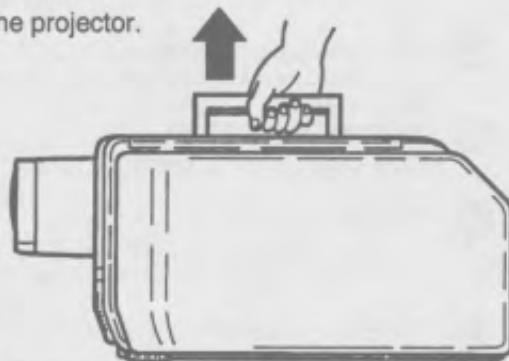


## REAR



## MOVING THE PROJECTOR

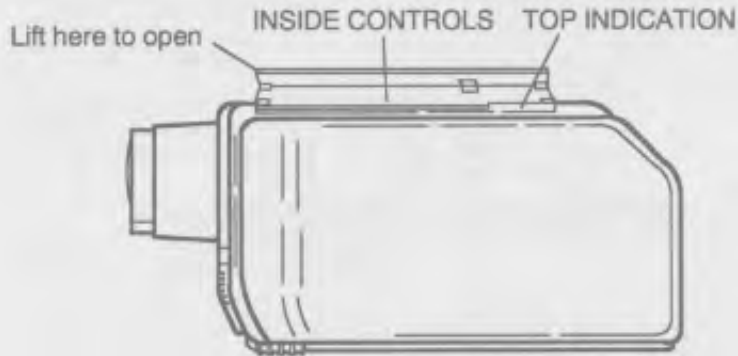
Use the carry handle when moving the projector.



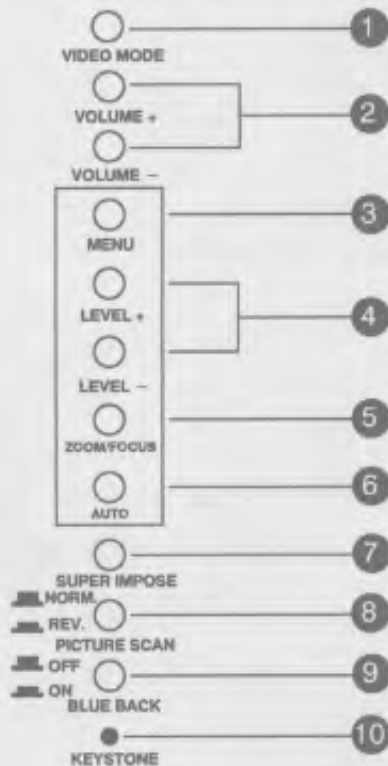
Replace the lens cover when moving the projector to prevent damage to the lens.



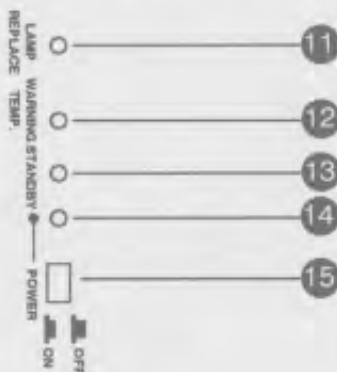
# OPERATION OF CONTROLS



## INSIDE CONTROLS

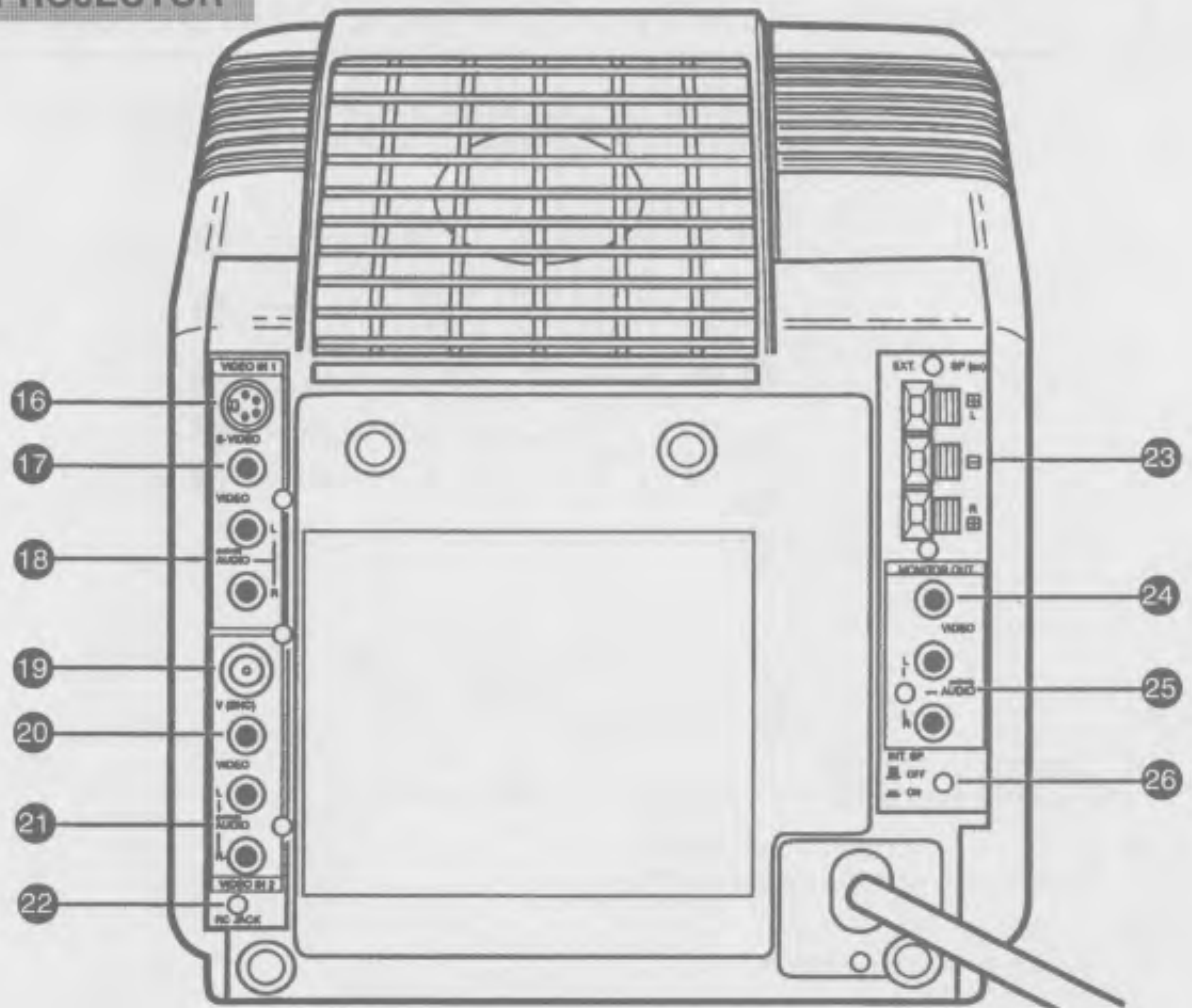


## TOP INDICATION



- 1 VIDEO MODE BUTTON  
Press to select video source. (Video Input-1 or Video Input-2)
- 2 VOLUME BUTTONS  
Press to increase or decrease sound level.
- 3 MENU BUTTON  
Used to select on-screen adjustment displays for color, tint, brightness, contrast and sharpness. Press repeatedly to cycle.
- 4 LEVEL CONTROL BUTTONS  
Used to adjust zoom, focus, color, tint, brightness, contrast, sharpness and keystone by pressing + or - button.
- 5 ZOOM/FOCUS BUTTON  
Used to select power zoom lens or focus system.
- 6 AUTO BUTTON  
Used to reset to normal factory set picture adjustment.
- 7 SUPERIMPOSE BUTTON  
Press this button to produces white characters and lines on a blue background.
- 8 REVERSE PICTURE SCANNING BUTTON  
Automatically reverses the projected screen image.
- 9 BLUE BACK BUTTON  
Used to project the blue image without video noise on the screen when the video source is unplugged or turned off.
- 10 KEYSTONE BUTTON  
Used to select the keystone correction mode.
- 11 LAMP REPLACEMENT INDICATOR  
Lights orange when projection lamp is nearing end of service life.
- 12 TEMPERATURE WARNING INDICATOR  
Lights red when internal projector temperature is too high.
- 13 STANDBY INDICATOR  
Lights green when projector is ready to be turned on.
- 14 POWER INDICATOR  
Lights bright when the projector is on.  
Lights dim when the projector is stand-by position.
- 15 POWER (LAMP) ON/OFF BUTTON  
Press to turn projection lamp on or off.

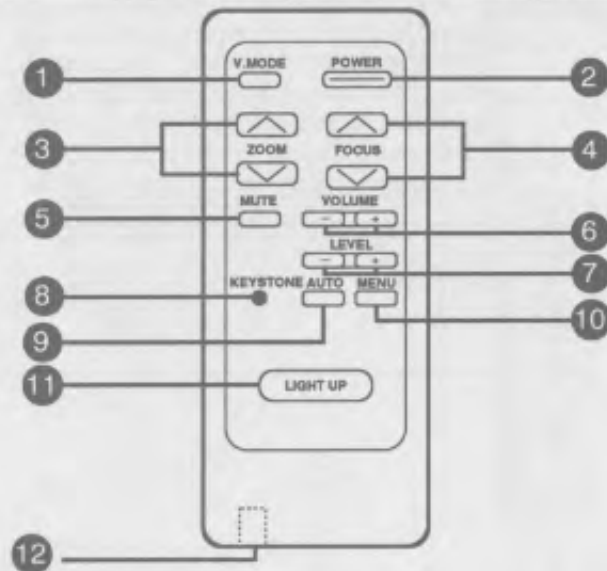
## BACK OF THE PROJECTOR



- 16 S-VIDEO INPUT JACK**  
Used to connect a S-VHS video source to the projector.
- 17 VIDEO INPUT-1 JACK**  
Used to connect a video source to the projector.
- 18 AUDIO INPUT-1 JACKS**  
Used to connect an audio input to the projector.
- 19 VIDEO INPUT-2 (BNC) JACK**  
Used to connect a video source to the projector.
- 20 VIDEO INPUT-2 JACK**  
Used to connect a video source to the projector.
- 21 AUDIO INPUT-2 JACKS**  
Used to connect an audio input to the projector.
- 22 WIRED REMOTE JACK**  
When using the wired remote control, connect the remote cable to this jack.
- 23 EXTERNAL SPEAKER TERMINALS**  
When using the external speakers, connect the speaker cable to this terminal.
- 24 VIDEO MONITOR OUTPUT JACK**  
Permits video connection to a monitor.
- 25 AUDIO MONITOR OUTPUT JACKS**  
Permits audio connection to a monitor.
- 26 INT. SPEAKER BUTTON**  
Turns the built-in speaker on or off.

# REMOTE CONTROL OPERATION

## INFRARED/ WIRED REMOTE CONTROL



- ① **VIDEO MODE BUTTON**  
Press to select video source. (Video Input-1 or Video Input-2)
- ② **POWER (LAMP) ON/OFF BUTTON**  
Press to turn projection lamp on or off.
- ③ **ZOOM BUTTONS**  
Used to operate power zoom lens.
- ④ **FOCUS BUTTONS**  
Used to operate power focus system.
- ⑤ **SOUND MUTE BUTTON**  
Used to mute sound.
- ⑥ **VOLUME BUTTONS**  
Used to adjust volume.
- ⑦ **LEVEL CONTROL BUTTONS**  
Used to adjust zoom, focus, color, tint, brightness, contrast, sharpness and keystone by pressing + or - button.
- ⑧ **KEYSTONE BUTTON**  
Used to select the keystone correction mode.
- ⑨ **AUTO BUTTON**  
Used to reset to normal factory set picture adjustment.
- ⑩ **MENU BUTTON**  
Used to select on-screen adjustment displays for color, tint, brightness, contrast and sharpness.  
Press repeatedly to cycle.
- ⑪ **LIGHT UP BUTTON**  
Press to light the illumination for function buttons on the remote control unit for 5 seconds, and press any other function button during the lighting to light for another 5 seconds.
- ⑫ **WIRED REMOTE JACK**  
When using the wired remote control, connect the remote cable to this jack.



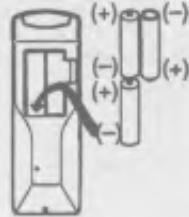
## REMOTE CONTROL BATTERY INSTALLATION

- 1 Remove the battery compartment lid.



- 2 Slide the batteries into the compartment.

Note: For correct polarity (+ and - terminal), be sure the battery terminals are in contact with the pins in the compartment.



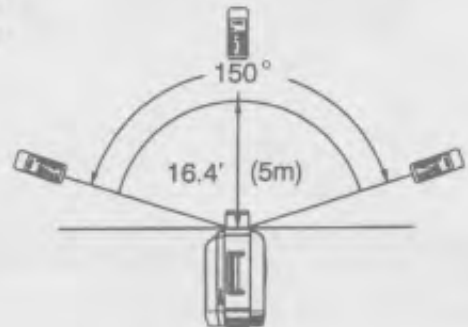
- 3 Replace the compartment lid.



The remote control unit can be used as wireless or wired remote control.

### USING THE REMOTE CONTROL UNIT (wireless)

Point the remote control toward the front of the projector (Receiver window) whenever pressing the buttons. Maximum operating range for the remote control is about 16.4' (5m) and 150° from the front of the projector.

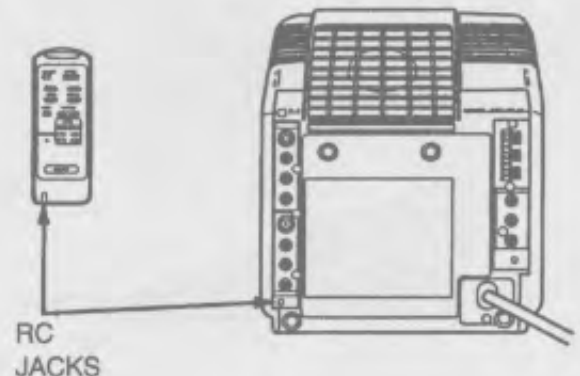


### USING THE REMOTE CONTROL UNIT (wired)

Connect a remote control cable to RC jacks located on the remote control unit and the back of the projector.

To insure safe operation, please observe the following precautions:

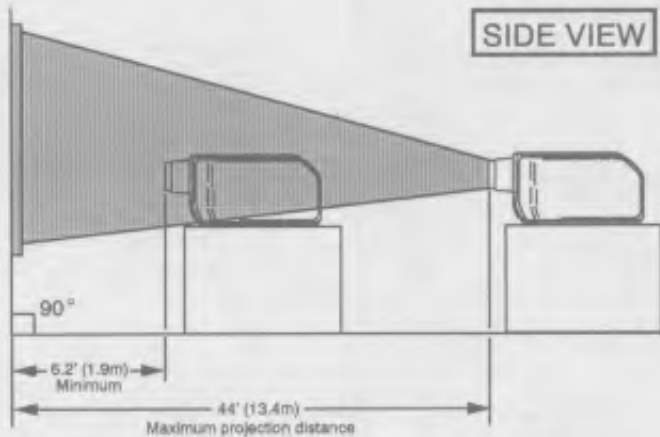
- \* Use (3) AA type batteries.
- \* Change three batteries at the same time.
- \* Do not use a new battery with a used battery.
- \* Avoid contact with water.
- \* Do not drop the remote control unit.



# SETTING-UP THE PROJECTOR

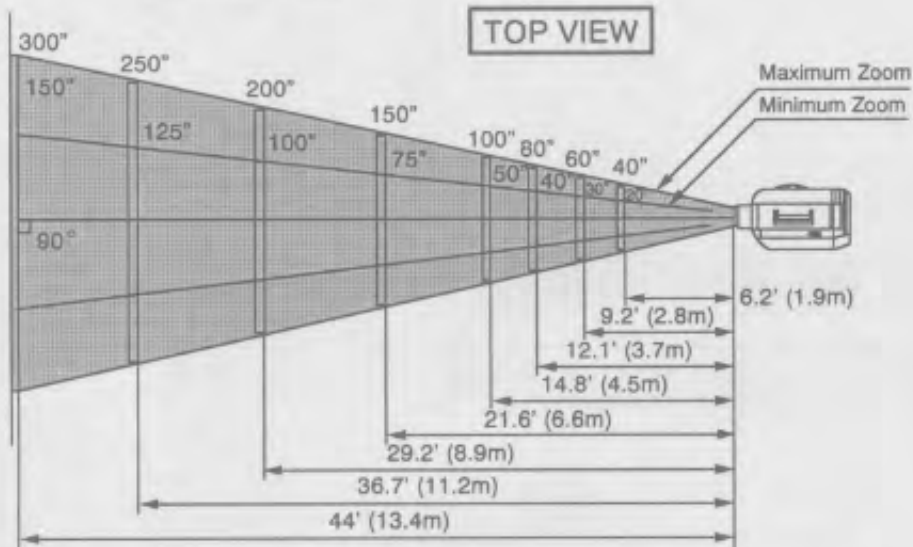
## POSITIONING:

- This projector is basically designed to project on a flat projection surface. If the projector is not placed at 90° angle to the screen, the projected image will have a keystone distortion. (See page 13 KEYSTONE CORRECTION.)
- This projector can be focused from 6.2' (1.9m) – 44' (13.4m).
- Use the illustration below as an example when positioning the projector to the screen.



## ROOM LIGHT

The projector should ideally be placed in a room with very limited light. Picture quality will be directly affected by lighting conditions.

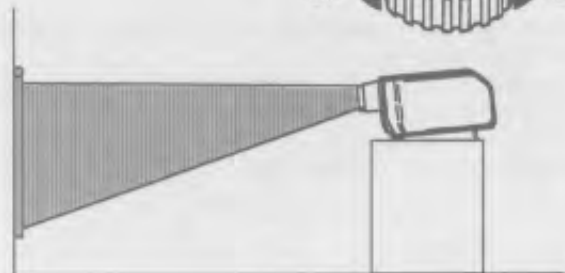
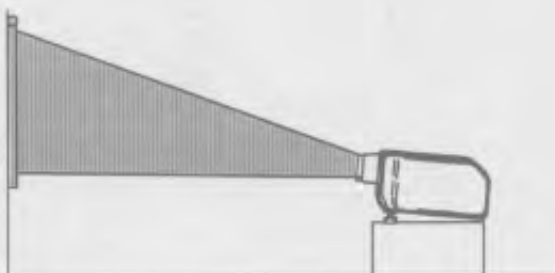
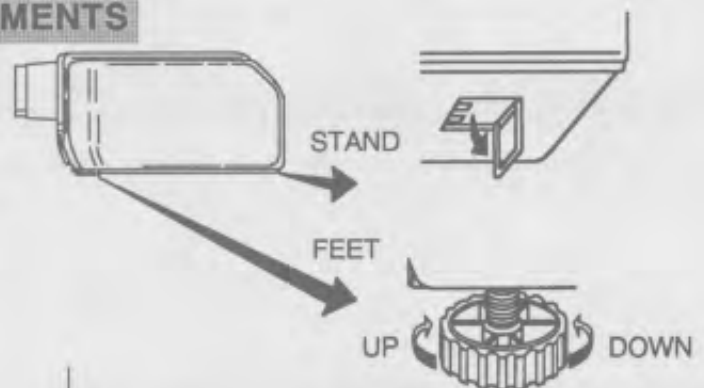


## LEVELING AND ELEVATING ADJUSTMENTS

Picture adjustments can be made with the two leveling/elevating feet.

Adjustments of 5° up are possible by rotating the feet on the bottom of the projector.

Adjustments of 5° down are possible by raising up the stand.



# USING THE PROJECTOR

## TO TURN ON THE PROJECTOR

Connect the projector to a video source (VCR, Video Camera, Video Disc Player, etc.) using the appropriate terminals on the rear of the projector (See page 15-18).

Connect the projector's AC power cord into a wall outlet. The STANDBY indicator will light GREEN.

Press the POWER (LAMP) ON/OFF button **on the projector** to ON. The POWER indicator will light bright and the cooling fan will operate. The display (EIKI LCD PROJECTOR and numeral 30) appears on the screen and the count-down starts (30-29-28-...1). The signal from the video source appears after 30 seconds. Now the remote control unit can be activated, and all functions may be used.



### CAUTION:

- THIS PROJECTOR USE A METAL-HALIDE ARC LAMP. IF YOU TURN ON THE LAMP, DO NOT TURN IT OFF FOR AT LEAST 5 MINUTES, SO AS NOT TO SHORTEN ITS LIFE.
- DO NOT UNPLUG THE PROJECTOR UNTIL THE COOLING FAN HAS STOPPED.

**NOTE 1:** After you turn off the projector use the POWER (LAMP) ON/OFF button on the projector or on the remote control unit you must wait one minute before you can turn the projector on again.

**NOTE 2:** TEMPERATURE WARNING INDICATOR flashes red, the projector will automatically turn off. Wait at least 5 minutes before turning the projector on.

If the TEMPERATURE WARNING INDICATOR continues to flash, follow the procedures below:

- (1). Press POWER (LAMP) ON/OFF button to OFF.
- (2). Check the air filter for dust accumulation.
- (3). Remove dust with vacuum cleaner (See air filter care and cleaning on page 19.)
- (4). Press POWER (LAMP) ON/OFF button to ON.

If the TEMPERATURE WARNING INDICATOR still continues to flash, call your authorized distributor for service.

## TO TURN OFF THE PROJECTOR (with the remote control unit)

Press the POWER (LAMP) ON/OFF button on the remote control unit to OFF. The POWER indicator will light dim and STANDBY indicator will turn off. The cooling fan will operate for 1 minute after the projector is turned off.

(During this "cooling down" period, the projector can not be turned on.) The STANDBY indicator will light green again and the projector may be turned on by pressing the POWER (LAMP) ON/OFF button on the remote control unit.

**NOTE:** Remote control unit can be activated only when POWER (LAMP) ON/OFF button on the projector is pressed to ON.

## TO TURN OFF THE PROJECTOR (without the remote control unit)

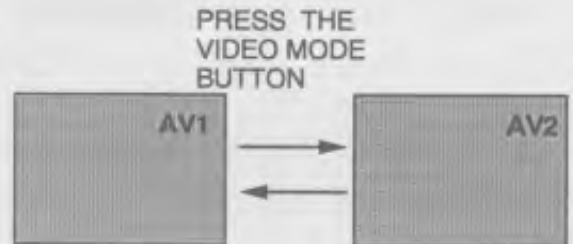
Press the POWER (LAMP) ON/OFF button on the projector to OFF. The POWER and STANDBY indicator will turn off. The cooling fan will operate for 1 minute after the projector is turned off. (During this "cooling down" period, the projector can not be turned on.) The STANDBY indicator will light green again and the projector may be turned on by pressing the POWER (LAMP) ON/OFF button on the projector.

**NOTE:** If the projector is turned off by the remote control unit, it can be turned back on without the remote by pressing the POWER (LAMP) ON/OFF button on the projector **twice**.

## ADJUST THE PROJECTOR

### VIDEO MODE SELECT

Press the VIDEO MODE button (located on projector or remote control unit) to select Video Input-1 or Video Input-2. The "AV1" or "AV2" display will appear on the screen.



### VOLUME ADJUSTMENT

Press INT. SPEAKER button to ON(IN) position when the INT. SPEAKER is used.

Press VOLUME buttons on the projector, or on the remote control unit to adjust the volume. The screen display will appear.

Pressing (+) will increase volume and the green indicator will increase to the right on the screen.

Pressing (-) will decrease volume and the green indicator will decrease to the left on the screen.

Press INT. SPEAKER button to OFF (OUT) position, will disengage the internal speaker on the projector.



### SOUND MUTE ADJUSTMENT

Pressing MUTE button on the remote control unit will mute audio (Red screen display will appear). Press MUTE button again to restore audio to its previous level.

### ZOOM ADJUSTMENT (Without remote control unit)

Press ZOOM/FOCUS button until zoom display will appear on the screen, and press LEVEL (+) or (-) to obtain your desired picture size. (The zoom display will appear for 5 seconds.) For the larger size, press (+) and for the smaller size, press (-).



### ZOOM ADJUSTMENT (With remote control unit)

Press ZOOM ( ^ ) or ( v ) to obtain your desired picture size. (The zoom display will appear for 5 seconds.) For the larger size, press ( ^ ) and for the smaller size, press ( v ).

### FOCUS ADJUSTMENT (Without remote control unit)

Press ZOOM/FOCUS button until focus display will appear on the screen, and press LEVEL (+) or (-) for sharper, crisper picture. (The focus display will appear for 5 seconds.)



### FOCUS ADJUSTMENT (With remote control unit)

Press FOCUS ( ^ ) or ( v ) for sharper, crisper picture. (The focus display will appear for 5 seconds.)

### COLOR AND PICTURE ADJUSTMENT

The normal color setting is factory preset on the projector and can be obtained anytime by pressing the AUTO button on the projector, or on the remote control unit.

The color adjustment can be made by using the MENU and LEVEL buttons on the projector, or on the remote control unit.

## OTHER FEATURES

### SUPERIMPOSE

Pressing SUPERIMPOSE button on the projector produces white character and lines on a blue background.

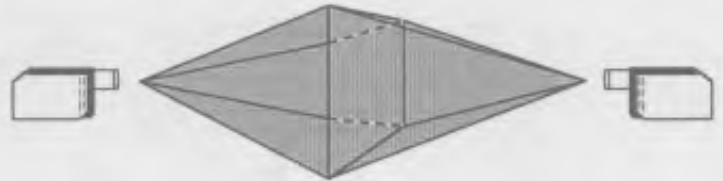
### BLUE BACK

Pressing BLUE BACK button on the projector to project the blue image without video noise on the screen when the video source is unplugged or turned off.

### REVERSE PICTURE SCANNING

The versatile left/right picture reverse capability lets you project onto the screen from in front or behind.

- Press the REVERSE PICTURE SCANNING button on the projector, if required.

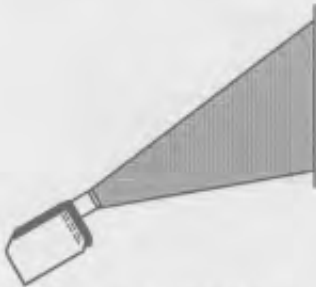


### KEYSTONE CORRECTION

When the projector is used at upper or lower position, keystone distortions appear at the bottom or top of the screen. The keystone can be corrected as follows:

#### ● LOW MOUNT PROJECTION

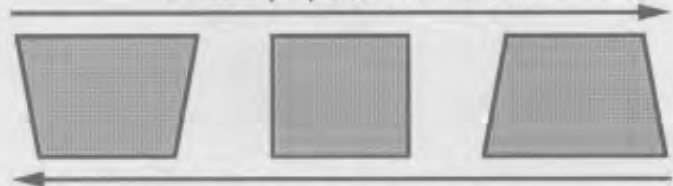
If the projector is mounted low, the keystone will appear at the top of the screen. Press keystone button on the projector, or remote control unit using the tip of a ball-point pen until the bar appears on the top of the screen. Press the level (-) button until the keystone is corrected.



#### TOP KEYSTONE CORRECTION DISPLAY



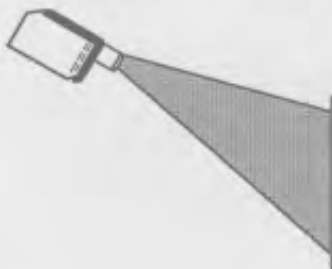
PRESS (-) LEVEL BUTTON



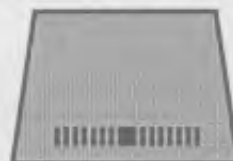
PRESS (+) LEVEL BUTTON

#### ● HIGH MOUNT PROJECTION

If the projector is mounted high, the keystone will appear at the bottom of the screen. Press keystone button on the projector, or remote control unit using the tip of a ball-point pen until the bar appears on the bottom of the screen. Press the level (-) button until the keystone is corrected.



#### BOTTOM KEYSTONE CORRECTION DISPLAY



PRESS (-) LEVEL BUTTON



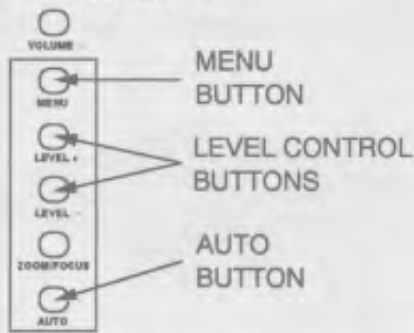
PRESS (+) LEVEL BUTTON

**NOTE:** The projector is equipped with a built-in memory feature that eliminates the need to readjust the keystone each time the projector is turned off and the AC power cord is disconnected.



# COLOR AND PICTURE ADJUSTMENTS

## INSIDE CONTROLS OF THE PROJECTOR

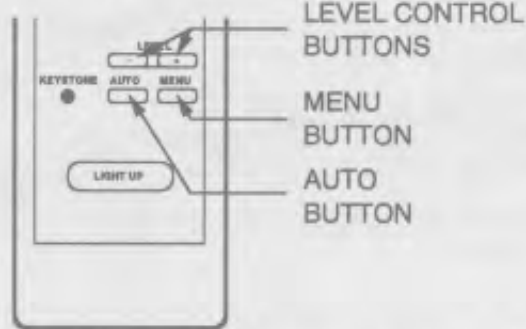


MENU  
BUTTON

LEVEL CONTROL  
BUTTONS

AUTO  
BUTTON

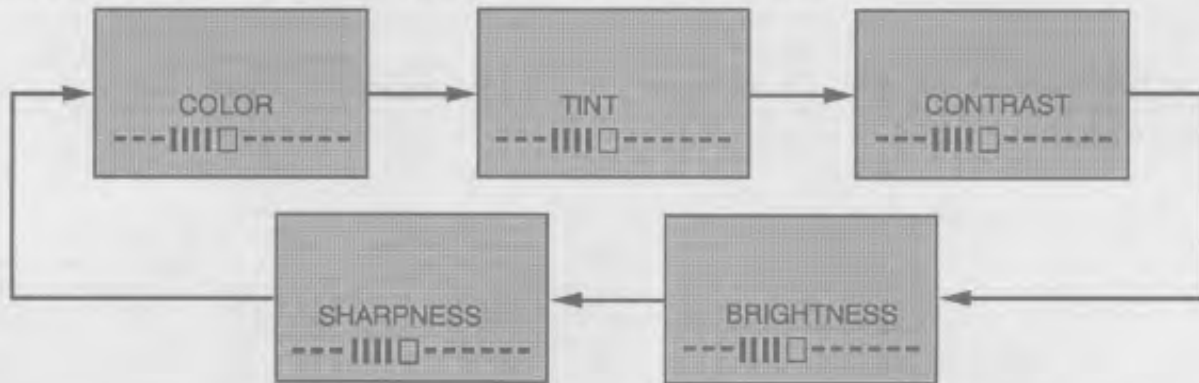
## REMOTE CONTROL UNIT



Color and picture adjustments have been preset at the factory to our quality standards. However, with the MENU and LEVEL buttons located on projector, or on the remote control unit, the color and picture adjustments can be made.

1. Press the MENU button to select the picture adjustments function.

Each time the MENU button is pressed, the control function changes as follows:



2. Adjust the color intensity, tint, contrast, brightness or sharpness by pressing the LEVEL (+ and -) buttons.

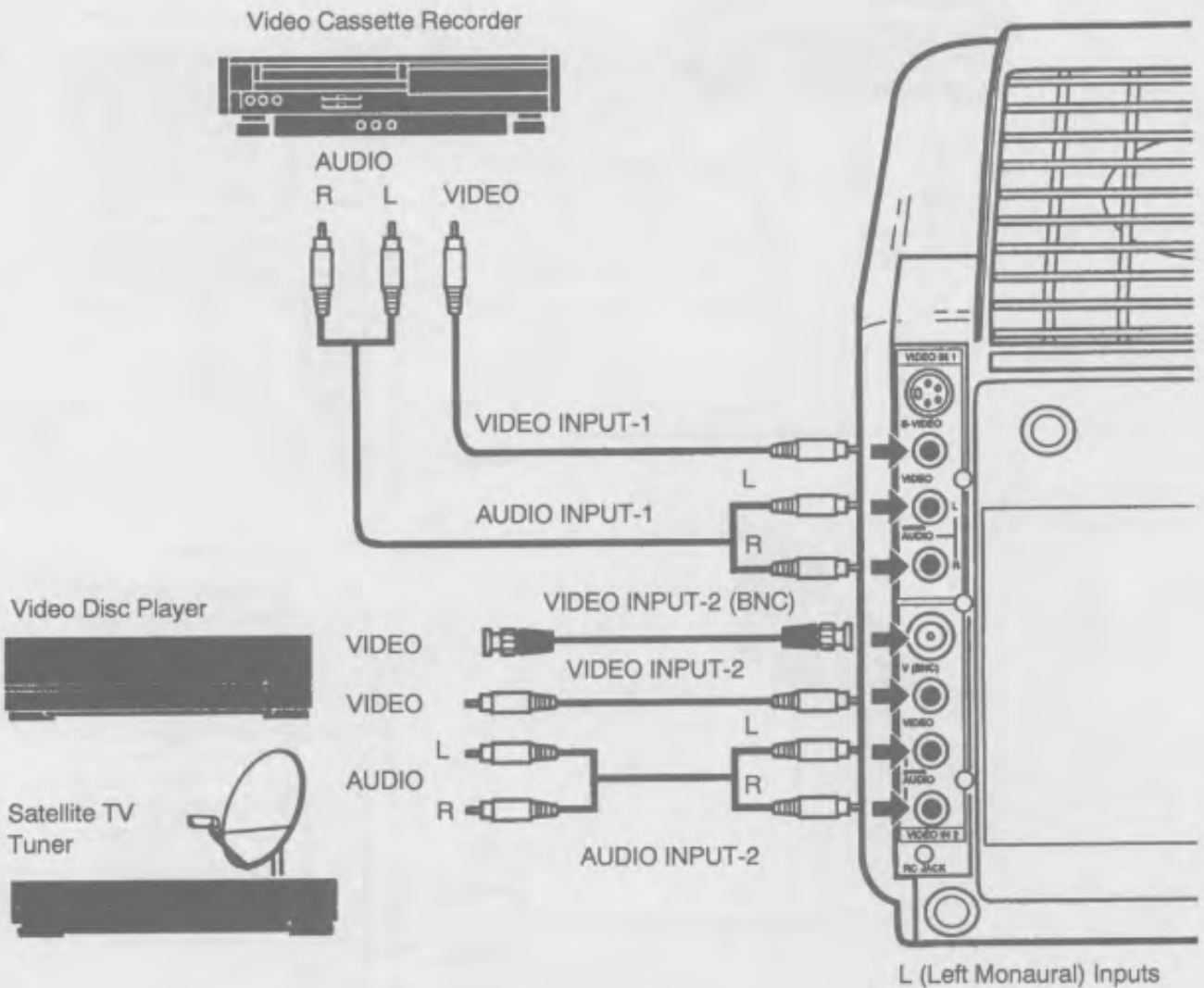
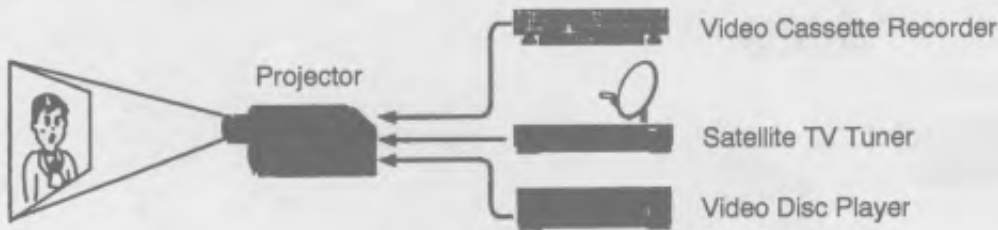
3. The ON-SCREEN display will disappear automatically in 5 seconds.

<div style="display: flex; justify-content: center; align-items: center; gap: 10px;"> <span>-</span> <span>LEVEL</span> <span>+</span> </div> <div style="display: flex; justify-content: center; align-items: center; gap: 10px;"> <span>←</span> <span>→</span> </div>	
COLOR	DECREASES ← → INCREASES
TINT	MORE PURPLE ← → MORE GREEN
CONTRAST	SOFTER ← → SHARPER
BRIGHTNESS	DARKER ← → BRIGHTER
SHARPNESS	SOFTER ← → SHARPER

**NOTE:** The projector is equipped with a built-in memory feature that can maintain the color adjustment to set on AV1 and AV2 respectively even if the projector is turned off and AC power cord is disconnected. If AUTO button is pressed, the projector will return to factory preset level.

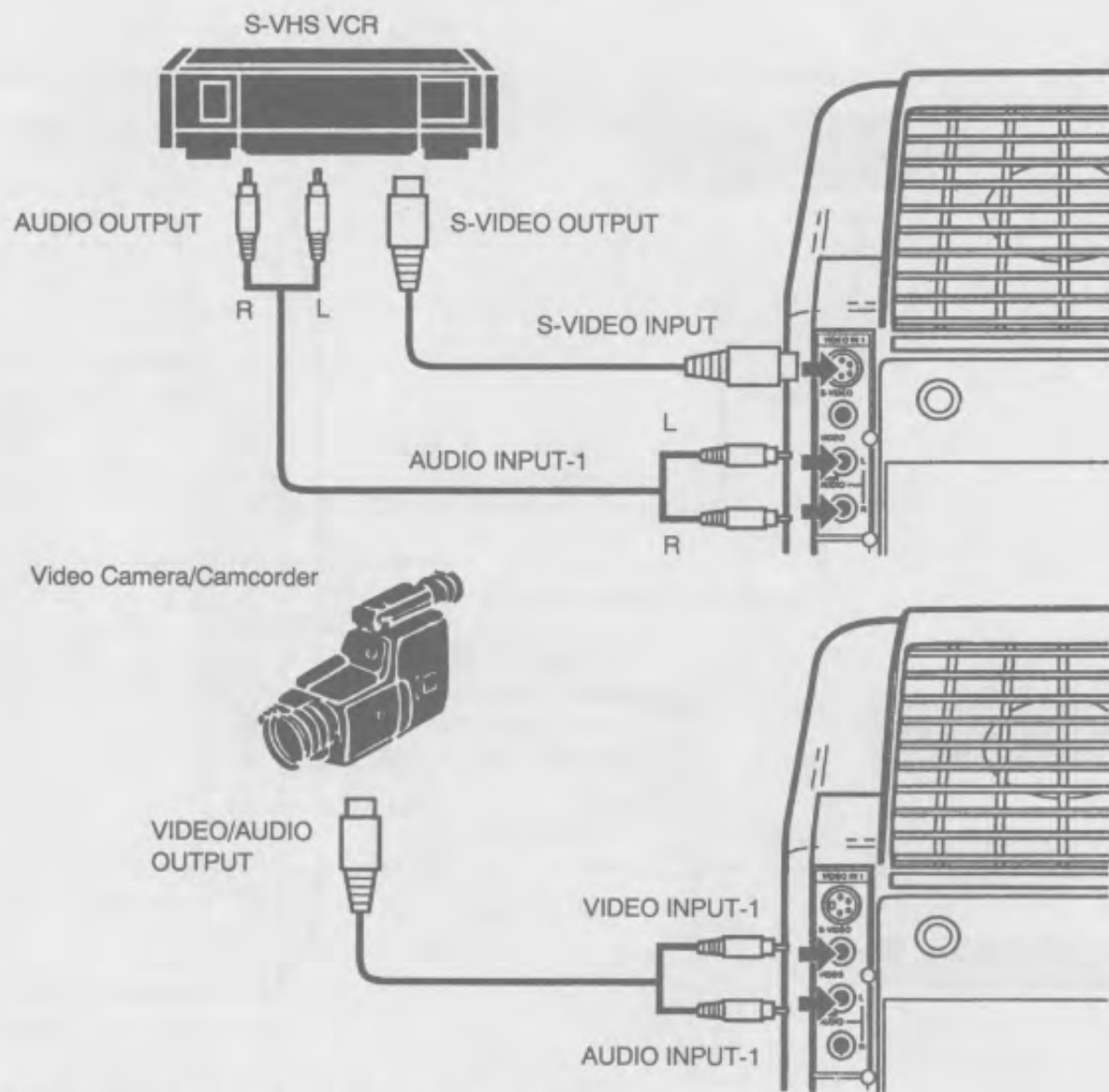
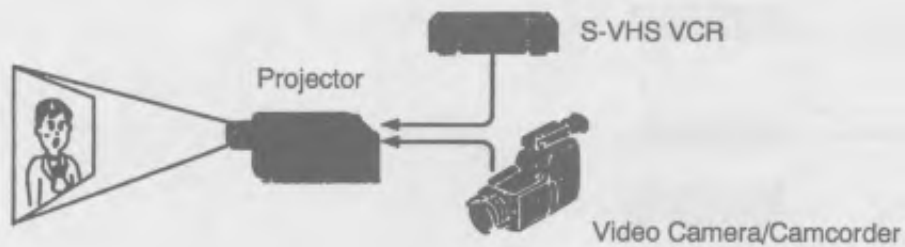


# CONNECTION TO VCR, VIDEO DISC PLAYER AND SATELLITE TV TUNER



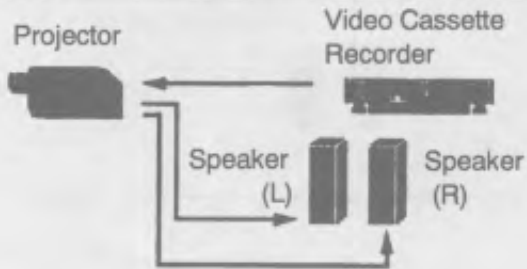
**NOTE:** Use composite video out for Satellite TV connection.  
Do not connect the video sources to the VIDEO IN 2 (RCA) together with the BNC jack. Use one video input only for VIDEO IN 2.

# CONNECTION TO S-VHS VCR CONNECTION TO VIDEO CAMERA/ CAMCORDER



NOTE: Cables for Video Camera/Camcorder not included.  
Signals input through the S-Video input jack are not available through the Monitor Output jack.

# CONNECTION TO EXTERNAL SPEAKERS (WITHOUT AMPLIFIER)



Video Cassette Recorder



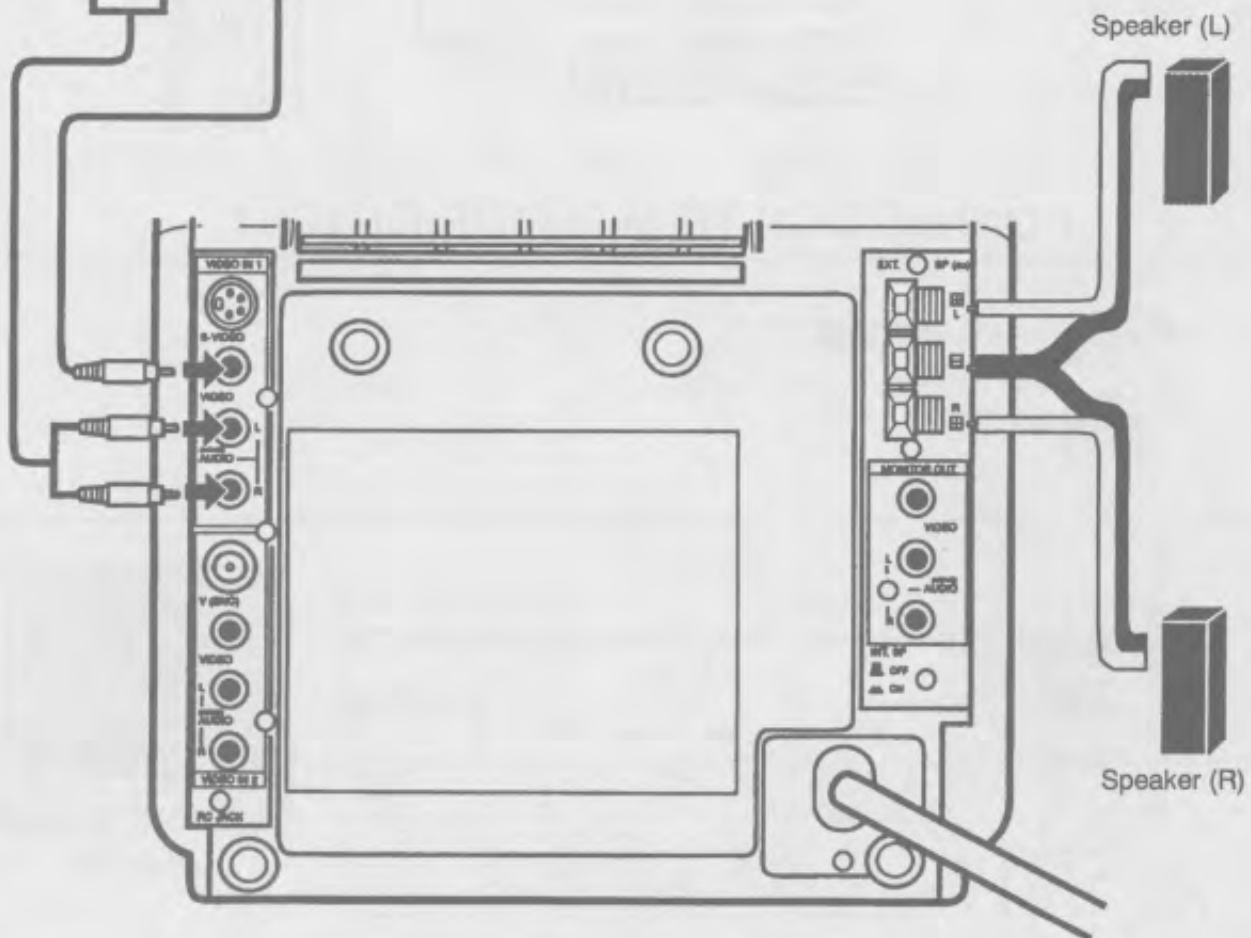
AUDIO R L VIDEO OUT



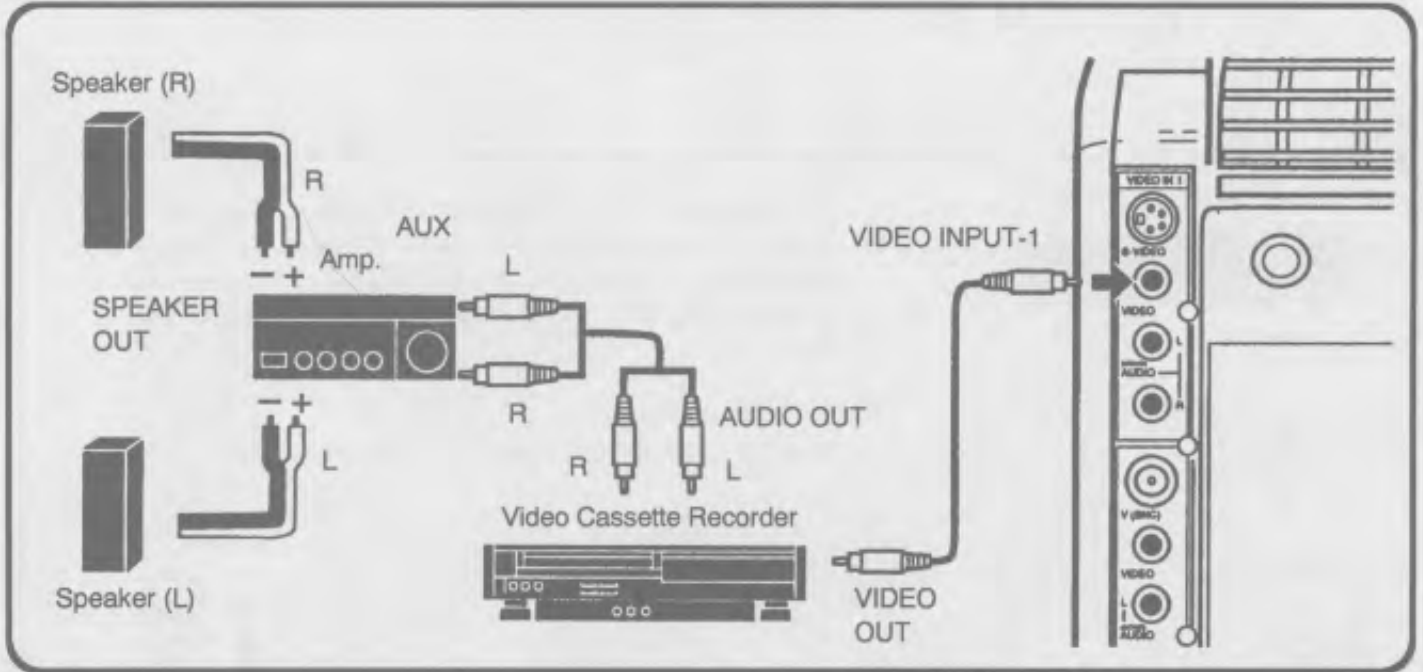
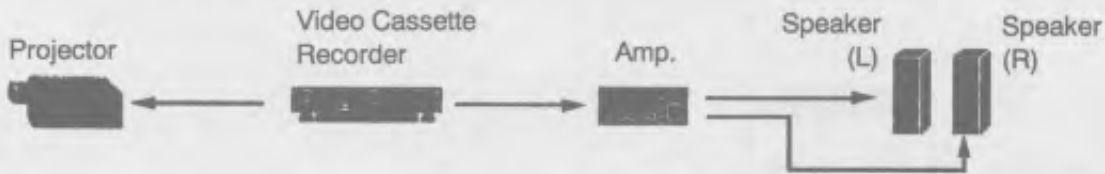
This projector is provided with external speaker terminals. Connect the left speaker to the terminal marked LEFT (+) and the right speaker to the RIGHT (+) and two ( - ) ground wires should be twisted together and connect to the ( - ) terminal on the projector.

### RECOMMENDATION

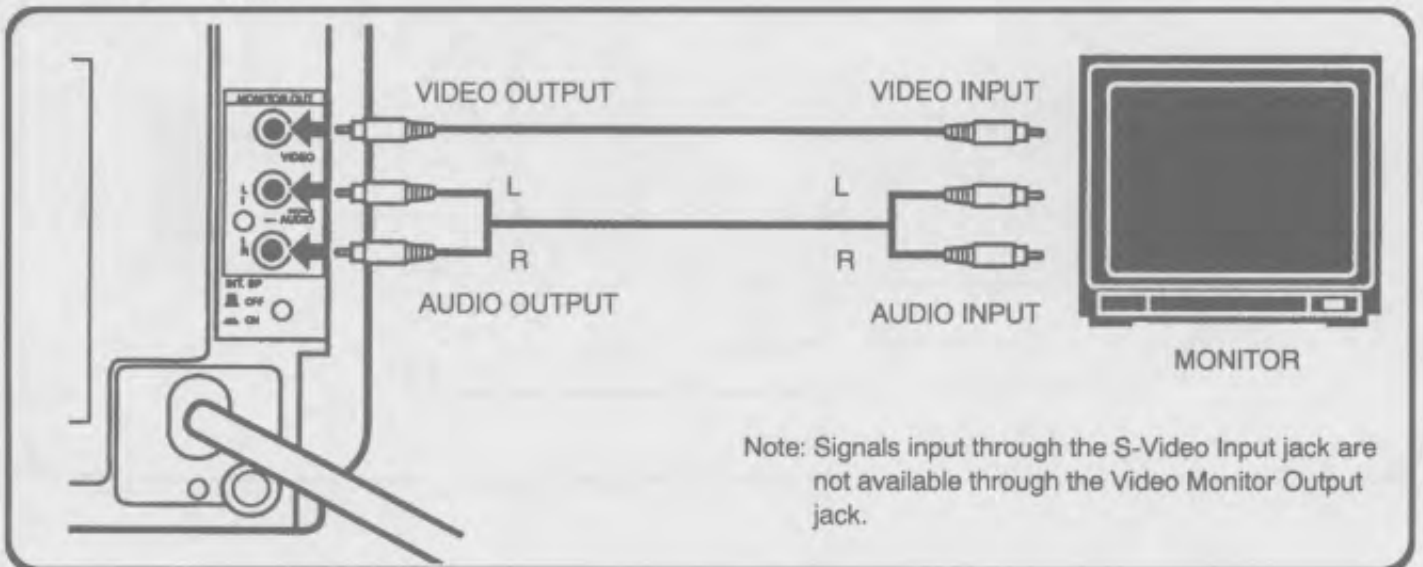
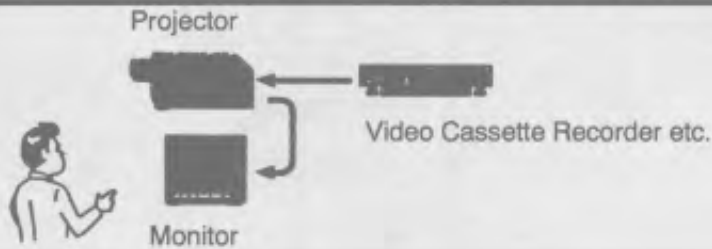
Use five watts, 8 ohms speaker as external speaker.



## CONNECTION TO EXTERNAL AMPLIFIER & SPEAKERS



## CONNECTION TO MONITOR OUTPUT



## AIR FILTER CARE AND CLEANING

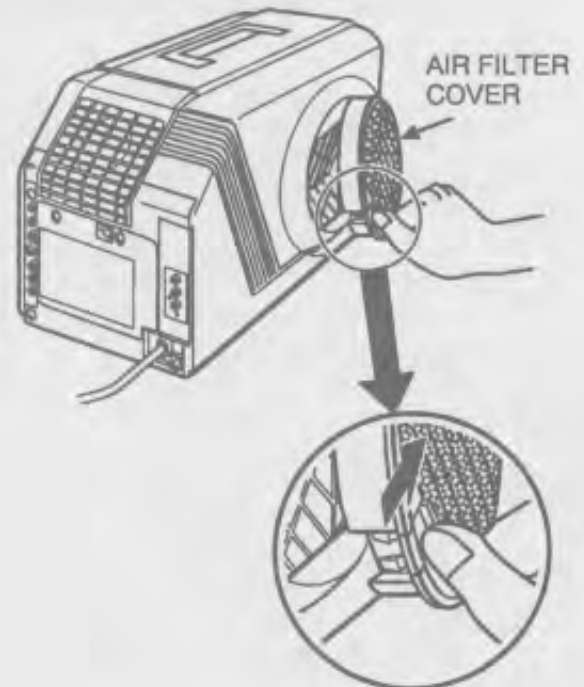
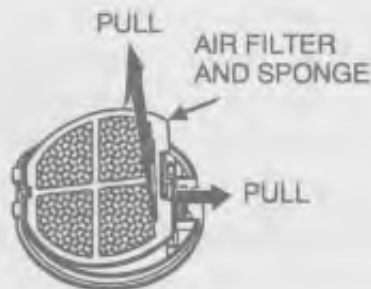
The removable air filter prevents dust from accumulating on the surface of the projection lens and projection mirror. Should the air filter become clogged with dust particles, it will reduce the cooling fan's effectiveness and may result in internal heat built up and reduced the life of the projector.

To clean the air filter, follow the cleaning procedures below:

1. Turn the POWER (LAMP) ON/OFF button OFF.
2. Remove the air filter cover from the side of the projector.
3. Remove the air filter and sponge from the filter cover.
4. Clean the air filter with a vacuum cleaner.
5. Replace the air filter. Make sure that air filter cover is fully inserted.



Do not clean with water. Doing so may damage the air filter.  
Do not operate the projector with air filter removed.



### RECOMMENDATION

**TO ENJOY PICTURE IMAGE, USE THE PROJECTOR IN THE CLEAN ENVIRONMENT. USAGE IN THE CLEAN ENVIRONMENT IS RECOMMENDED.**

When used under the dusty or smoky conditions, dust may accumulate on the liquid crystal panel and lens inside it, and may resultantly be projected on the screen together with the picture.

When the above symptoms are noticed contact the place where your purchased or the nearest service center for the cleaning.

## LAMP REPLACEMENT & TEMPERATURE WARNING INDICATORS

### LAMP REPLACEMENT INDICATOR

When the lamp nears the end of its service life, the picture quality and color quality will deteriorate and the lamp replacement indicator will light orange.



**DO NOT ATTEMPT TO REMOVE OR CHANGE THE PROJECTION LAMP. THE LAMP CAN ONLY BE CHANGED BY QUALIFIED SERVICE PERSONNEL.**

### TEMPERATURE WARNING INDICATOR

The TEMPERATURE WARNING INDICATOR lights red when the internal temperature of the projector exceeds the normal temperature.

Possible causes for the temperature warning may be:

1. Ventilation slots at the rear or bottom of the projector are blocked. In such an event, reposition the projector so that ventilation slots are not obstructed.
2. Air filter is clogged with dust particles. Remove dust from the air filter by following instructions in the Air Filter Care and Cleaning section above.  
If temperature warning indicator remains on after performing the checks listed above, cooling fan/internal circuits may be malfunctioning. Request service from an authorized distributor or service station.

# TROUBLE SHOOTING GUIDE

Please perform these simple checks before calling for service.

SYMPTOMS	PROCEDURES
No power	<ul style="list-style-type: none"> <li>● Plug the projector into an AC outlet.</li> <li>● Press the POWER (LAMP) ON/OFF button to ON.</li> <li>● Check the STANDBY INDICATOR light ON.</li> <li>● One minute has not passed since LCD projector turned OFF.</li> </ul> <p>NOTE: After pressing the POWER (LAMP) ON/OFF button to OFF the projector, the projector functions as follows.</p> <ol style="list-style-type: none"> <li>1. The POWER and STANDBY indicator will turn off.</li> <li>2. The cooling fan will operate for 1 minute after the projector is turned off. (During this "cooling down period, the projector can not be turned on.)</li> <li>3. The STANDBY indicator will light green again and the projector may be turned on by pressing the POWER (LAMP)ON/OFF button on the projector or on the remote control unit.</li> </ol>
No sound from built-in speaker	<ul style="list-style-type: none"> <li>● Press the VOLUME (▲) and (▼) to (▲).</li> <li>● Press the INT. SPEAKER button to ON.</li> <li>● Check audio cable connection from audio input source.</li> </ul>
Picture is reversed	<ul style="list-style-type: none"> <li>● Press the REVERSE PICTURE SCANNING button.</li> </ul>
Picture blurred or color faded	<ul style="list-style-type: none"> <li>● Check the projection distance 6.2' (1.9m) ~ 44' (13.4m).</li> <li>● Adjust the FOCUS control.</li> </ul> <p>NOTE: Moving the projector from a cool temperature location to a warm temperature location may result moisture condensation on the lens. In such an event, leave the projector OFF and wait until condensation disappears.</p>



This symbol on the nameplate means the product is Listed by Underwriters' Laboratories Inc. It is designed and manufactured to meet rigid U.L. safety standards against risk of fire, casualty and electrical hazards.



# TECHNICAL SPECIFICATIONS

## SPECIFICATIONS

Projector Type	Portable LC color video projector
Dimensions (H x W x D)	10" (253 mm) × 8.9" (226 mm) × 21.7" (550 mm)
Net Weight	26.4 lbs (12.0 kg)
LCD Panel System	2.98" TFT Active Matrix type ( Thin Film Transistor) × 3
Number of Pixels	338,400 (112,800 × 3)
Projection Image Size (Diagonal)	Adjustable from 20" to 300"
Contrast Ratio	100 :1
Horizontal Resolution	450 TV lines
Projection Lens	f4.2~ 4.5 lens with 5.31" ~ 10.09" Motor-drive zoom and focus
Lens Aperture	2.64" (67 mm)
Throw Distance	6.2' (1.9 m) ~ 44' (13.4m)
Projection Lamp	Metal Halide, 200 watt type
Projection Mirror	Dichroic mirror system
NTSC Video Input Jacks	RCA type × 2, BNC type × 1, DIN 4 pin (S-Video) × 1
Monitor Video Output Jack	RCA type × 1
Line Audio Input Jacks	RCA type × 2 set (R and L)
Monitor Audio Output Jacks	RCA type × 1 set (R and L)
External Speakers Jack	Stereo 3 pin type × 1
Internal Speaker	1.97" (50mm) × 3.54" (90mm) oval × 1
Amplifier	INT. SP. Monaural, 3 watt RMS (T.H.D. 10%) EXT. SP. Stereo, 5 watt/ch RMS (T.H.D. 10%)
Operating/Image Controls	Projection unit: Power ON/OFF, Volume, Zoom/Focus, Auto, Menu, Level Control, Video Mode, Superimpose, Picture Scanning, Blue Back ON/OFF, Keystone and INT. Speaker ON/OFF Remote Control Unit: Power ON/OFF, Video Mode, Volume, Volume Mute, Zoom, Focus, Auto, Menu, Level Control and Keystone
LED Indicators	Power ON/OFF, Standby, Temperature Warning, Lamp Replacement
Image Elevation Adjustment	Up 5° , Down 5°
Voltage	120V AC, 50/60 Hz
Power Consumption	260 Watts/4.1 A (Max. Ampere)
Operating Temperature	5 °C - 35 °C
Storage Temperature	- 10 °C ~ 60 °C
Remote Control Battery	(3) AA type
Standard Accessories	Remote Control Unit, R/C Cable 5' (1.5m), Owner's Instruction Manual, Protective Dust Cover

# **EIKI**

**Audio Visual/Video Products**

**EIKI INTERNATIONAL, INC.**

26794 Vista Terrace Drive, Lake Forest, CA. 92630-8113  
TEL (714) 457-0200 FAX (714) 457-7878

**IN CANADA, EIKI CANADA**

355 Cranston Crescent P.O. Box 156  
Midland Ontario L4R 4K8 Canada  
TEL (705) 527-4084 FAX (705) 527-4087